

Optical Fiber Connector

DIN Optical Fiber Connector

Description

An optical fiber connector terminates the end of an optical fiber, and enables quicker connection and disconnection than splicing. The connectors mechanically couple and align the cores of fibers so light can pass. Better connectors lose very little light due to reflection or misalignment of the fibers.

Feature

- Low insertion loss
- High return loss
- Ease of installation
- Low cost
- Reliability
- Low environmental sensitivity
- Ease of use

Application

- Telecom network
- Ethernet network
- Optical communication equipment

Specification:

Items	Single mode	Multi mode
Insertion Loss	$\leq 0.3\text{dB}$	$\leq 0.3\text{dB}$
Return Loss	$\geq 50\text{dB(UPC)}; \geq 60\text{dB(APC)}$	$\geq 30\text{dB}$
Ceramic ferrule spec	125.5um concentricity deviations: $< 1\text{um}$	127um concentricity deviations: $< 3\text{um}$
Insert-pull test	1000 times $< 0.3\text{dB}$	
Operation temperature	$-40^{\circ}\text{C} \sim +85^{\circ}\text{C}$	
Suitable fiber	PC/APC(9/125um)	PC(50/125um,62.5/125um)



A B C D E F G H

1

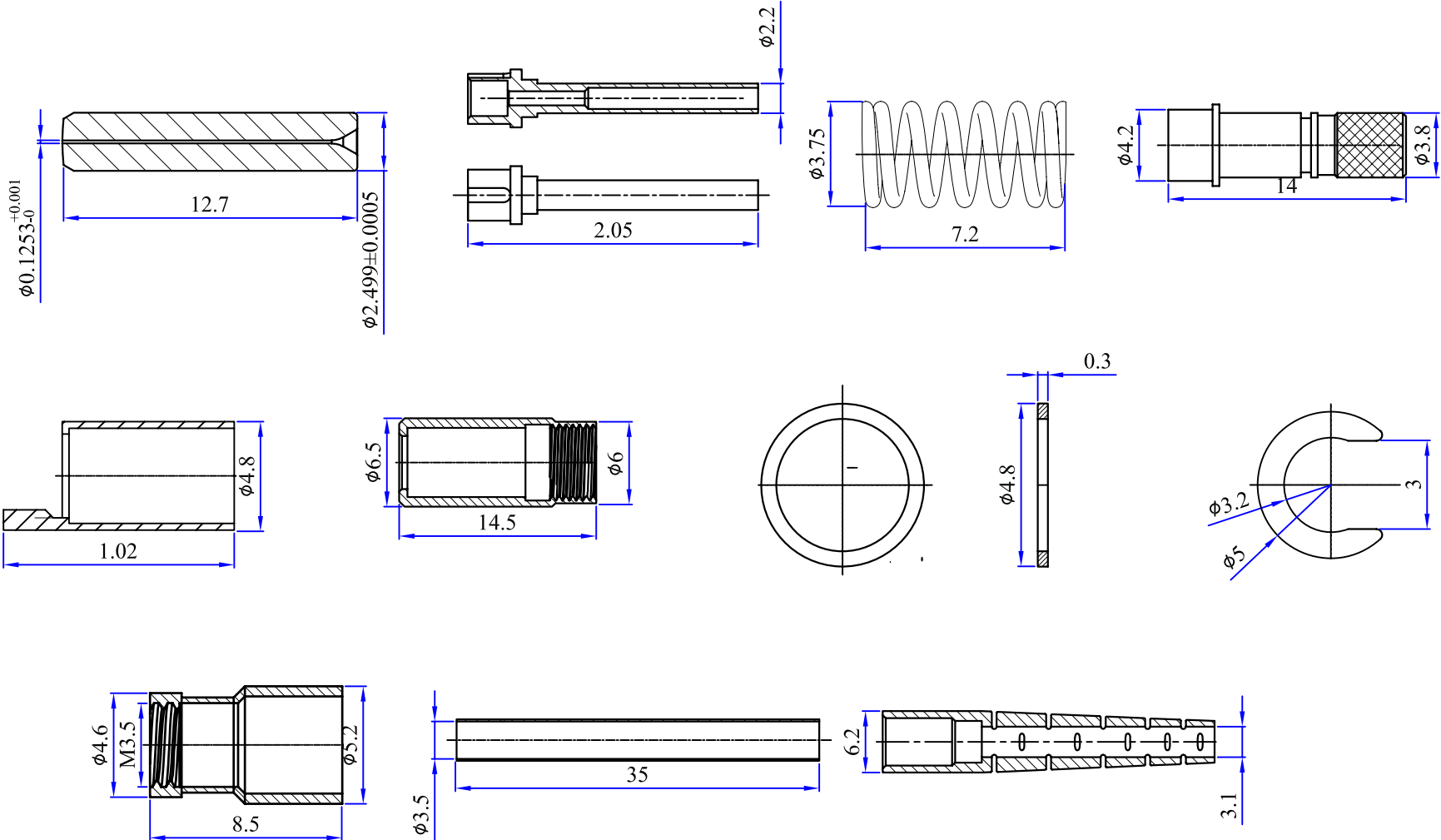
2

3

4

5

6



Technical requirements:

1. The dimensions on the drawing are just for reference, which important is to match well with each other.

Title	DIN Connector		
Drawing	Steven	Item No	
Check	Henry	Drawing No:	
Approval	Williams		曦和光电科技有限公司
Date	2018	Page: 1-1	XH Opto Tech Co.,LTd