



Optical Fiber Connector

LC Duplex Optical Fiber Connector

Description

An optical fiber connector terminates the end of an optical fiber, and enables quicker connection and disconnection than splicing. The connectors mechanically couple and align the cores of fibers so light can pass. Better connectors lose very little light due to reflection or misalignment of the fibers.

Feature

- Low insertion loss
- High return loss
- Ease of installation
- Low cost
- Reliability
- Low environmental sensitivity
- Ease of use

Application

- Telecom network
- Ethernet network
- Optical communication equipment



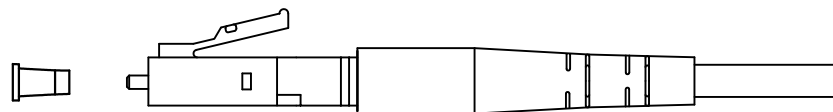
LC duplex Optical Fiber Connector

Specification:

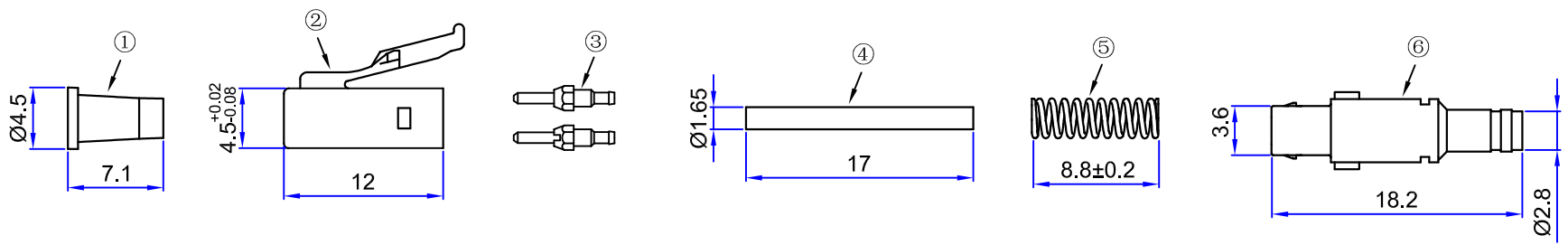
Items	Single mode	Multi mode
Insertion Loss	$\leq 0.3\text{dB}$	$\leq 0.3\text{dB}$
Return Loss	$\geq 50\text{dB(UPC)}; \geq 60\text{dB(APC)}$	$\geq 30\text{dB}$
Ceramic ferrule spec	125.5um concentricity deviations: $< 1\text{um}$	127um concentricity deviations: $< 3\text{um}$
Insert-pull test	1000 times $< 0.3\text{dB}$	
Operation temperature	$-40^{\circ}\text{C} \sim +85^{\circ}\text{C}$	
Suitable fiber	PC/APC(9/125um)	PC(50/125um, 62.5/125um)

A B C D E F G H

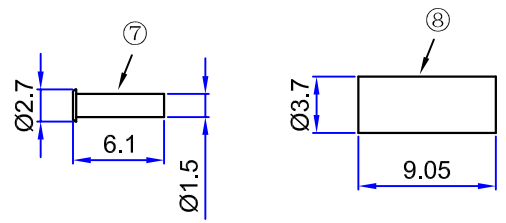
1



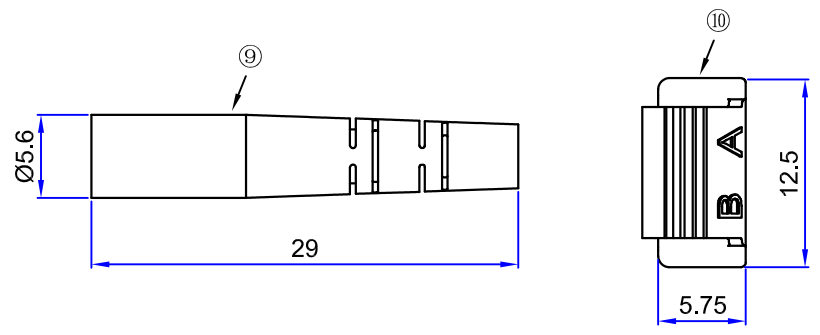
2



3



4



No.	Materia name	Q'ty	note
1	dust cap	2	
2	outer housing	2	SM is blue, MM is beige, LC/APC is green
3	LC ferrule	2	ferrule: SM and MM
4	white tube	2	
5	LC spring	2	
6	stop ring	2	SM is blue, MM is beige, LC/APC is green
7	crimping sleeve	2	
8	rivet	2	
9	boot	2	LC/PC boot:white LC/APC boot:green
10	duplex clip	1	SM is blue, MM is beige, LC/APC is green

Technical requirements:

1.The dimensions on the drawing are just for reference, which important is to match well with each other.

Title		3.0mm LC Duplex connector	
Drawing	Steven	Item No	
Check	Henry	Drawing No:	
Approval	Williams		曦和光电科技有限公司 XH Opto Tech Co.,LTd
Date	2018	Page: 1-1	

A B C D E F G H

1

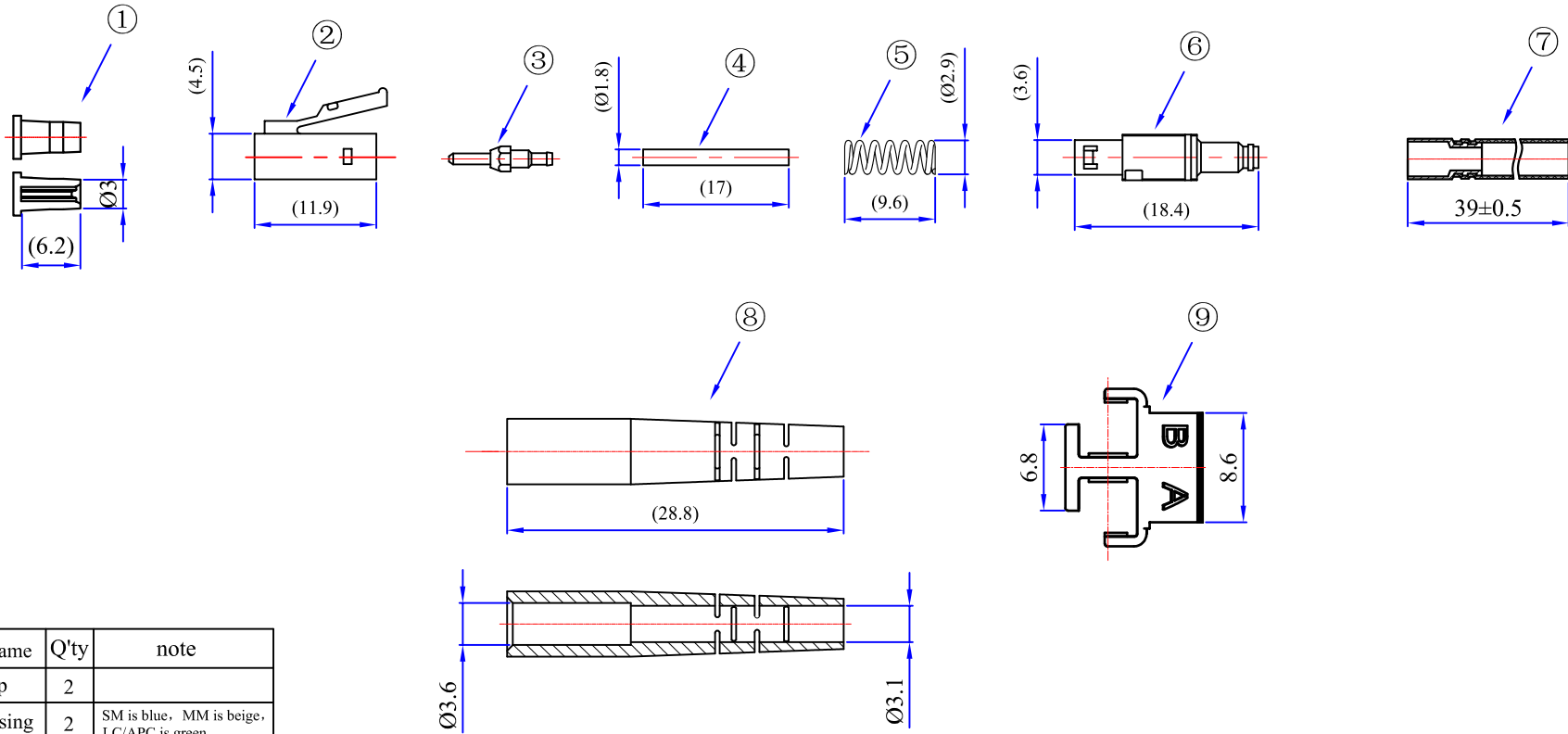
2

3

4

5


6



No.	Materia name	Q'ty	note
1	dust cap	2	
2	outer housing	2	SM is blue, MM is beige, LC/APC is green
3	LC ferrule	2	ferrule: SM and MM
4	white tube	2	
5	LC spring	2	
6	stop ring	2	SM is blue, MM is beige, LC/APC is green
7	heat shrink tube	2	all SM and MM are yellow
8	boot	2	LC/PC boot:white LC/APC boot:green
9	duplex clip	1	SM is blue, MM is beige, LC/APC is green

Technical requirements:

1.The dimensions on the drawing are just for reference, which important is to match well with each other.

Title		2.0mm LC Duplex connector	
Drawing	Steven	Item No	
Check	Henry	Drawing No:	
Approval	Williams	⊙	 曦和光电科技有限公司 XH Opto Tech Co.,LTd
Date	2018	Page: 1-1	