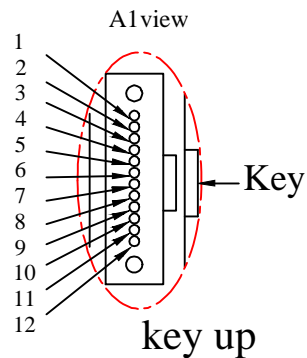
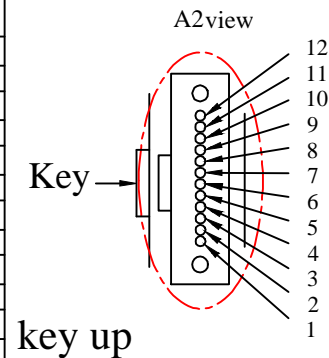


Type B



WIRING	
A1	A2
1	blue 12
2	orange 11
3	green 10
4	brown 9
5	gray 8
6	white 7
7	red 6
8	black 5
9	yellow 4
10	violet 3
11	pink 2
12	aqua 1



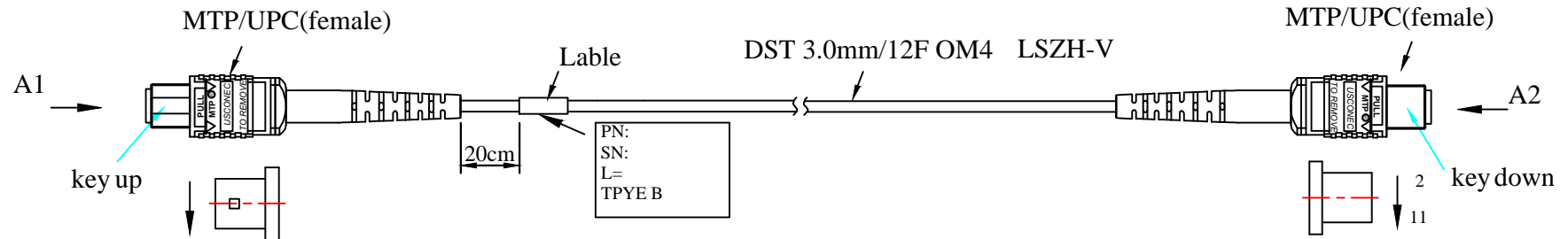
Patch Cord Length

Length L	Tolerance T
L<5M	+0.1M /-0
5M<L	+2% \times L/-0

Connector Test Spec

Type	1310nm/1550nm	1310nm/1550nm
	IL (dB)	RL (dB)
MTP/SM/APC	<0.6dB	>60dB
MTP/SM/PC	<0.6dB	>45dB

Title	BRK 12Fx12 G657A1 LSZH MPO/APC/F/12F-MPO/APC/F/12F		
Drawing	Steven	Item No	
Check	Henry	Drawing No:	
Approval	Williams		
Date	2018	Page: 1-1	曦和光电科技有限公司 XH Opto Tech Co.,LTd



Type C




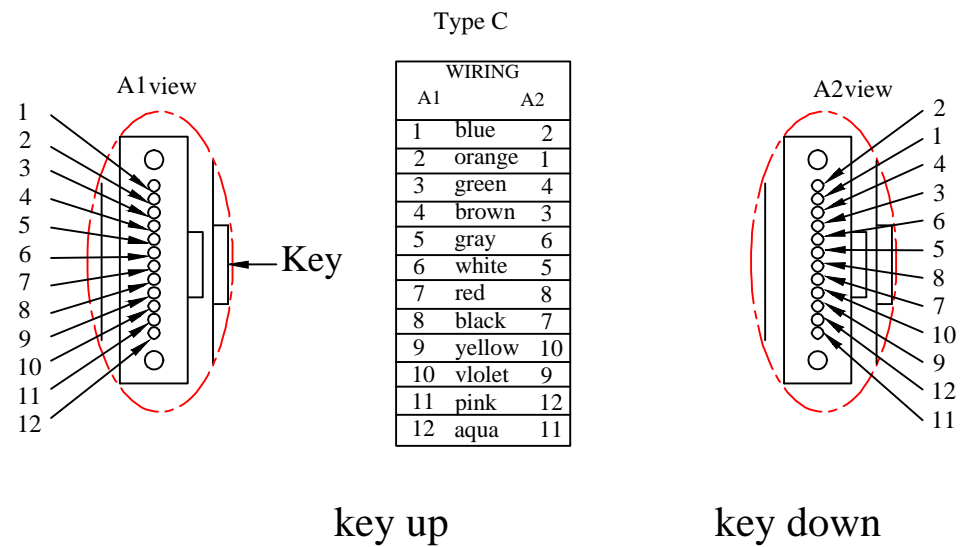
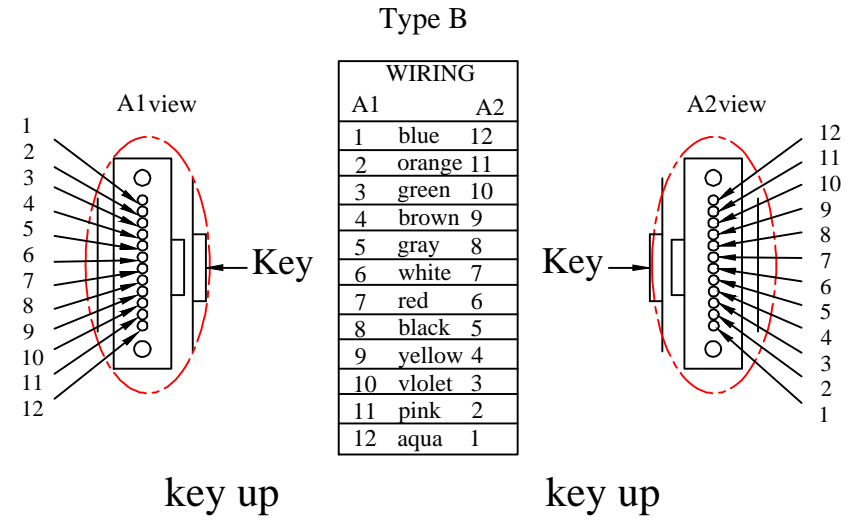
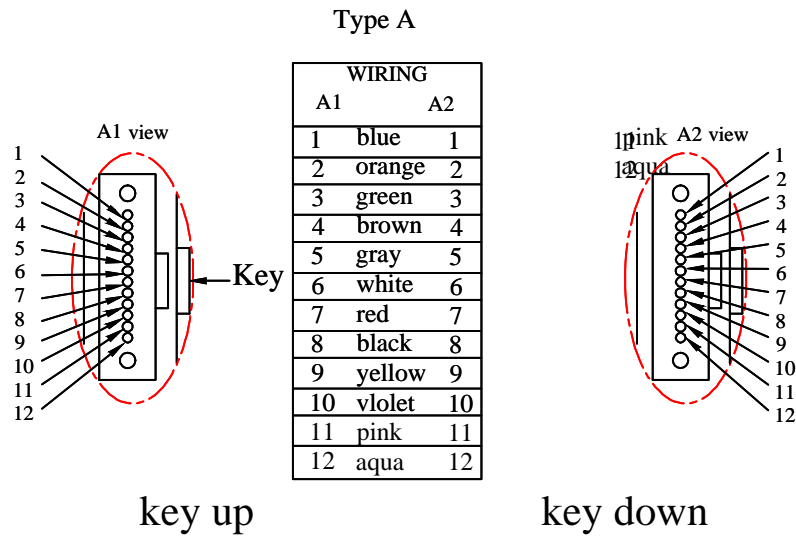
Note : No.1~12 just represent the hole of the position

Technical requirement:

- 1. Performance index:
- 2.No dust cap showing on the drawing

Type	IL(dB)		RL(dB)
	Standard loss	Low loss	
PC(SM)	≤0.7	≤0.35	≥40
APC(SM)	≤0.7	≤0.35	≥55
PC(MM)	≤0.7	≤0.35	≥20
APC(MM)	≤0.7	≤0.35	≥30

Title	DST 3/12F OM4 LSZH-V MTP/UPC/F-MTP/UPC/F TYPE C 50M		
Drawing	Steven	Item No	
Check	Henry	Drawing No:	
Approval	Williams		 曦和光电科技有限公司
Date	2018	Page: 1-1	XH Opto Tech Co.,LTd



Type	IL(dB)		RL(dB)
	Standard loss	Low loss	
PC(SM)	≤0.7	≤0.35	≥40
APC(SM)	≤0.7	≤0.35	≥55
PC(MM)	≤0.7	≤0.35	≥20
APC(MM)	≤0.7	≤0.35	≥30